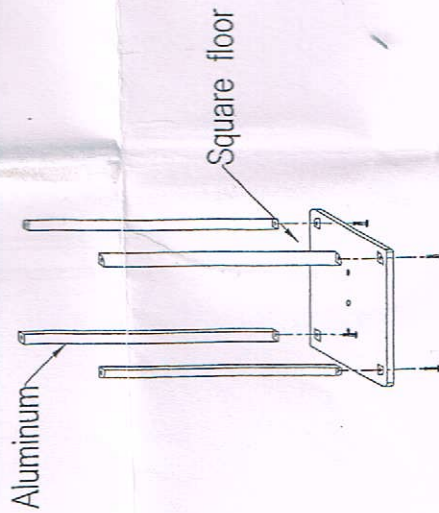
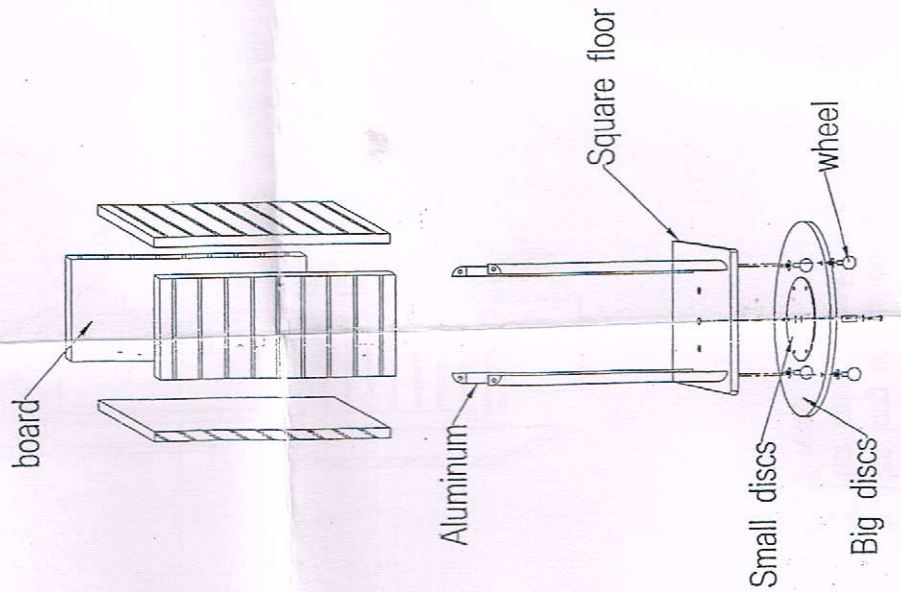


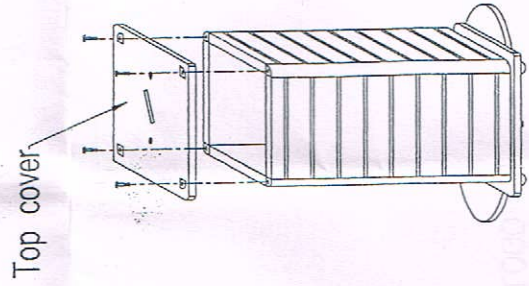
1 Use a short screw to lock the aluminum strip with the square base



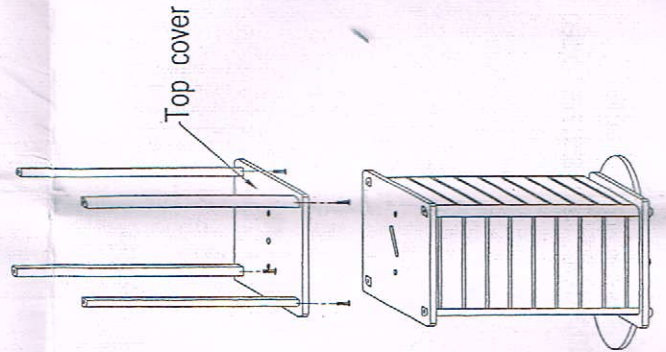
2 Pick up the disc from the front to assemble the four wheels, assemble the large disc front, the small disc, the square floor assembly



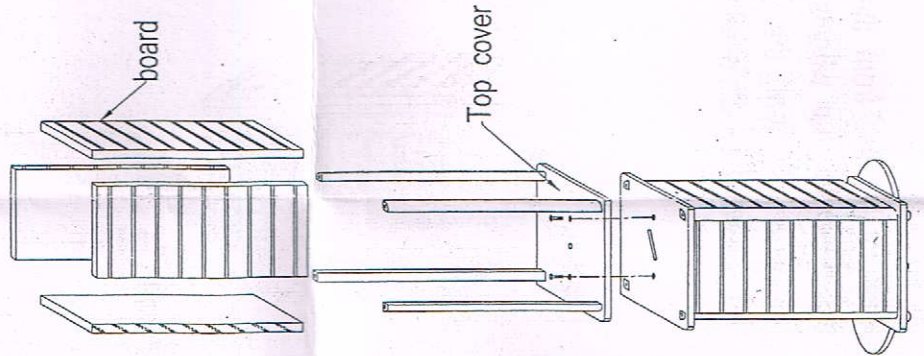
3 Use a short screw to lock the top cover and the aluminum strip



4 Assemble the second layer, first with a short screw to the aluminum bar and the square floor lock



5 Use long screws with the first floor cover to make 4 pieces of wood



6 With a short screw to the second layer of the cover and the aluminum bar, the second layer on the cover inserted LOGO card

